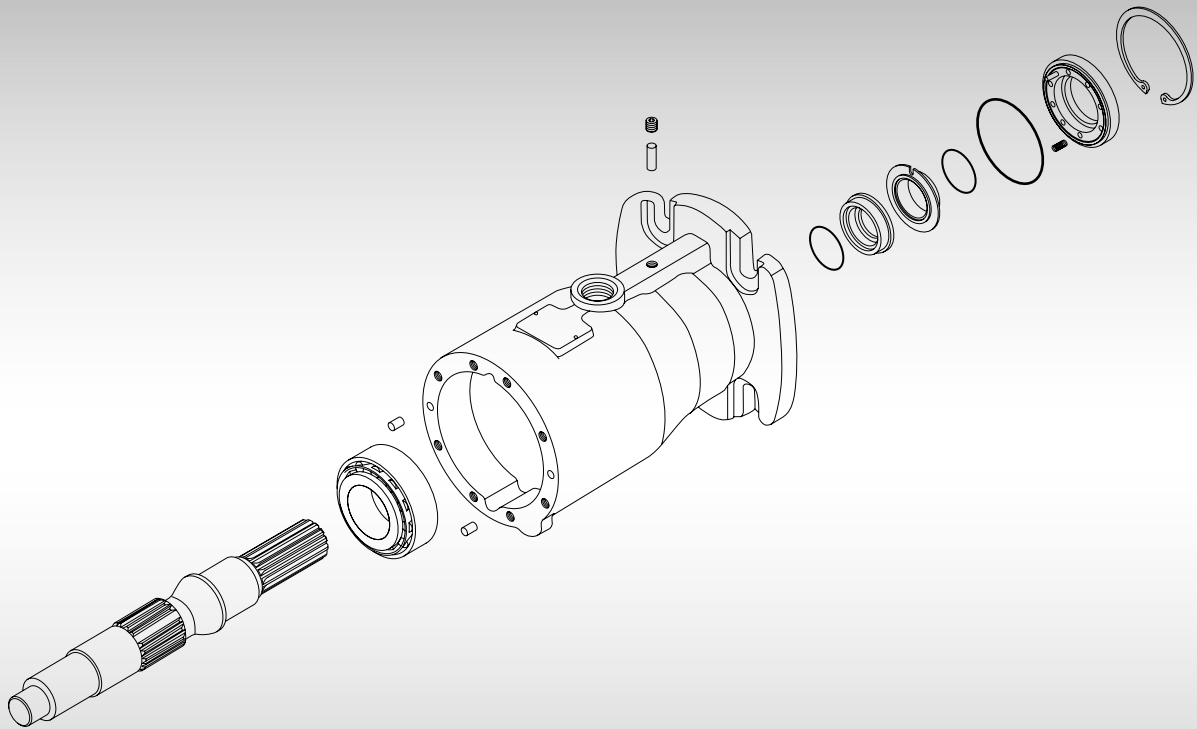




Quick Reference Parts Manual

Fixed Displacement Motor Series 20, 20 thru 27 series

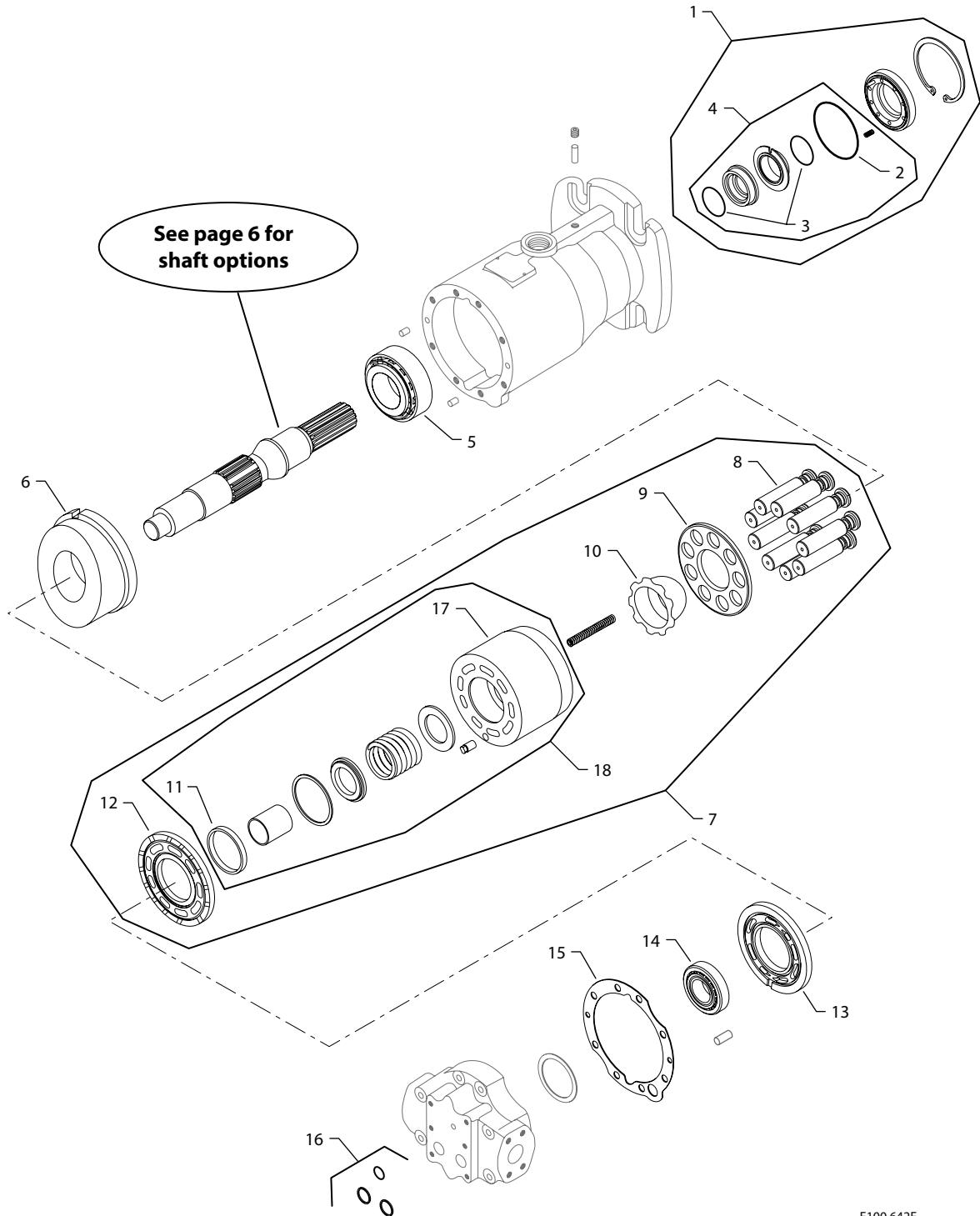




Exploded view drawing

**Contents**

Service parts	Exploded view drawing	4
	Service parts.....	5
Drive shafts	SMF2/033 (20 series)	6
	SMF2/052 (21 series)	6
	SMF2/070 (22 series)	6
	SMF2/089 (23 series)	6
	SMF2/119 (24 series)	6
	SMF2/166 (25 series)	6
	SMF2/227 (26 series)	6
SMF2/334 (27 series)	6	



E100 642E


Service parts

Item #	Discription	SMF2/033 (20)	SMF2/052 (21)	SMF2/070 (22)	SMF2/089 (23)
	Overhaul seal kit	9510225	9510228	9510231	9510234
1	Shaft seal kit	050088	050088	050088	050302
2	O-ring	056788 (9004100-2340)	056788 (9004100-2340)	056788 (9004100-2340)	000984 (9004100-2380)
3	O-ring	008821 (9004104-1290)	008821 (9004104-1290)	008821 (9004104-1290)	008979 (9004104-1360)
4	Seal kit	9510022	9510022	9510022	9510021
5	Front bearing kit	050575 (9510251)	050575 (9510251)	050625 (9510256)	050658 (9510259)
6	Swashplate, 18°	512503	512504	508383	512505
7	Cylinder block kit	510149	593251	596890	9230973
8	Piston kit, set of 3	711291 (not a kit of 3)	9510408-0010	9510408-0001	9510408-0002
8	Remanufactured	711291	R9510408-0010	R9510408-0001	R9510408-0002
9	Slipper retainer	9200158	003210 (9210292)	003707 (9220628)	004176 (9230234)
10	Slipper ret. guide	J9200124	003160 (9210219)	9220500	9230158
11	Pilot ring	002709	010678	013862	004325
12	Bearing plate	002733	585885	585893	561670
13	Valve plate	002907	003384	003905	004358
14	Rear bearing kit	050567 (9510250)	050591 (9510253)	050617 (9510255)	050641 (9510258)
15	End cap gasket	9200088	9210204	9220425	9231081
16	Manifold O-ring kit	9510049	9510049	9510049	9510049
17	Cylinder block	049155	049163	014878	014910
17	Remanufactured	n/a	R9210576	R9221102	R9230651
18	Cylinder block assy	n/a	n/a	11077853	520087/P

Item #	Discription	SMF2/119 (24)	SMF2/166 (25)	SMF2/227 (26)	SMF2/334 (27)
	Overhaul seal kit	9510237	9510240	9510317	9510243
1	Shaft seal kit	050302	050302	058537	050534
2	O-ring	000984 (9004100-2380)	000984 (9004100-2380)	049718 (9004100-2420)	000992 (9004100-2430)
3	O-ring	008979 (9004104-1360)	008979 (9004104-1360)	680892 (9004104-1440)	012187 (9004104-1490)
4	Seal kit	9510021	9510021	n/a	n/a
5	Front bearing kit	050658 (9510259)	9510264	9510267	050732 (9510270)
6	Swshplate, 18°	9240142	9250646	9260150	9270483
7	Cylinder block kit	9240641	634923	9260369	9270658
8	Piston kit, set of 3	9510408-0004	9510408-0005	9510408-0006	9510408-0009
8	Remanufactured	R9510408-0004	R9510408-0005	R9510408-0006	R9510408-0009
9	Slipper retainer	9240125	9250170	9260072	9270486
10	Slipper ret. guide	9240097	005090	046243	005587
11	Pilot ring	702381	634907	634915	634899
12	Bearing plate	9240560	585901	9260321	585927
13	Valve plate	9240279	9250629	651844	9270655
14	Rear bearing kit	050674 (9510261)	050690 (9510263)	055434 (9510266)	050724 (9510386)
15	End cap gasket	9240549	9250587	9260144	9270710
16	Manifold O-ring kit	9510049	9510049	9510049	9510049
17	Cylinder block	049171	073585	073619	071183
17	Remanufactured	R9240394	R9250470	R9260231	R9270495


Drive shaft

	Part Number	Description
SMF2/033 (20 series)	78865	14 tooth spline
	708404	20 tooth spline
	2873	21 tooth spline with .335" drilled hole
	708412	Straight key, 3/8-24 UNF-2B threaded hole
	9003261-3132	Key, 5/16 x5/16 x 2 1/2
SMF2/052 (21 series)	9210468	14 tooth spline
	9210708	21 tooth spline, 3/8-24 UNF-2B threaded hole
	9210547	Straight key, 3/8-24 UNF-2B threaded hole
	9003261-3132	Key, 5/16 x5/16 x 2 1/2
SMF2/070 (22 series)	9220976	14 tooth spline
	9220516	19 tooth spline
	9220530	20 tooth spline, 3/8-24 UNF-2B threaded hole
	9220399	21 tooth spline
	9221094	Straight key, 3/8-24 UNF-2B threaded hole
	9003261-3132	Key, 5/16 x5/16 x 2 1/2
SMF2/089 (23 series)	9230476	14 tooth spline
	014985	21 tooth spline
	9230173	23 tooth spline, 3/8-24 UNF-2B threaded hole
	688481	23 tooth spline, special spline length - 1.69"
	9230147	27 tooth spline with 3/8-24 UNF-2B threaded hole
	9230626	Straight key with 3/8-24 UNF-2B threaded hole, gear charge pump
	9003261-3132	Key, 3/8 x 3/8 x 2 1/2
SMF2/119 (24 series)	9240216	13 tooth spline
	9240232	27 tooth spline, 1/2-20 UNF-2B threaded hole
	039982	Straight key, 1/2-20 UNF-2B threaded hole
	9003261-3732	Key, 3/8 x 3/8 x 2 1/2
SMF2/166 (25 series)	9250379	13 tooth spline
	9250348	27 tooth spline, .465" drilled hole
	9250415	Straight key with 1/2-20 UNF-2B threaded hole
	9003261-3732	Key, 3/8 x 3/8 x 2 1/2
SMF2/227 (26 series)	9260151	13 tooth spline
	9260198	27 tooth spline, .465" drilled hole
	9260181	Straight key with 1/2-20 UNF-2B threaded hole
	9003261-5040	Key, 1/2 x 1/2 x3 1/2
SMF2/334 (27 series)	9270423	15 tooth spline
	9270148	40 tooth spline, .571" drilled hole
	561548	Straight key, 5/8-18 UNF-2B threaded hole
	9003261-6244	Key, 5/8 x 5/8 x4



Notes



Products we offer:

- Bent Axis Motors
- Closed Circuit Axial Piston Pumps and Motors
- Displays
- Electrohydraulic Power Steering
- Electrohydraulics
- Hydraulic Power Steering
- Integrated Systems
- Joysticks and Control Handles
- Microcontrollers and Software
- Open Circuit Axial Piston Pumps
- Orbital Motors
- PLUS+1® GUIDE
- Proportional Valves
- Sensors
- Steering
- Transit Mixer Drives

Danfoss Power Solutions is a global manufacturer and supplier of high-quality hydraulic and electronic components. We specialize in providing state-of-the-art technology and solutions that excel in the harsh operating conditions of the mobile off-highway market. Building on our extensive applications expertise, we work closely with our customers to ensure exceptional performance for a broad range of off-highway vehicles.

We help OEMs around the world speed up system development, reduce costs and bring vehicles to market faster.

Danfoss – Your Strongest Partner in Mobile Hydraulics.

Go to www.powersolutions.danfoss.com for further product information.

Wherever off-highway vehicles are at work, so is Danfoss.

We offer expert worldwide support for our customers, ensuring the best possible solutions for outstanding performance. And with an extensive network of Global Service Partners, we also provide comprehensive global service for all of our components.

Please contact the Danfoss Power Solution representative nearest you.

Comatrol

www.comatrol.com

Schwarz Müller-Inverter

www.schwarzmueller-inverter.com

Turolla

www.turollaocg.com

Valmova

www.valmova.com

Hydro-Gear

www.hydro-gear.com

Daikin-Sauer-Danfoss

www.daikin-sauer-danfoss.com

Local address:

Danfoss Power Solutions US Company
2800 East 13th Street
Ames, IA 50010, USA
Phone: +1 515 239 6000

Danfoss Power Solutions GmbH & Co. OHG
Krokamp 35
D-24539 Neumünster, Germany
Phone: +49 4321 871 0

Danfoss Power Solutions ApS
Nordborgvej 81
DK-6430 Nordborg, Denmark
Phone: +45 7488 4444

Danfoss Power Solutions
Building #22, No. 1000 Jin Hai Rd
Jin Qiao, Pudong New District
Shanghai, China 201206
Phone: +86 21 3418 5200

Danfoss can accept no responsibility for possible errors in catalogues, brochures and other printed material. Danfoss reserves the right to alter its products without notice. This also applies to products already on order provided that such alterations can be made without subsequential changes being necessary in specifications already agreed. All trademarks in this material are property of the respective companies. Danfoss and the Danfoss logotype are trademarks of Danfoss A/S. All rights reserved.